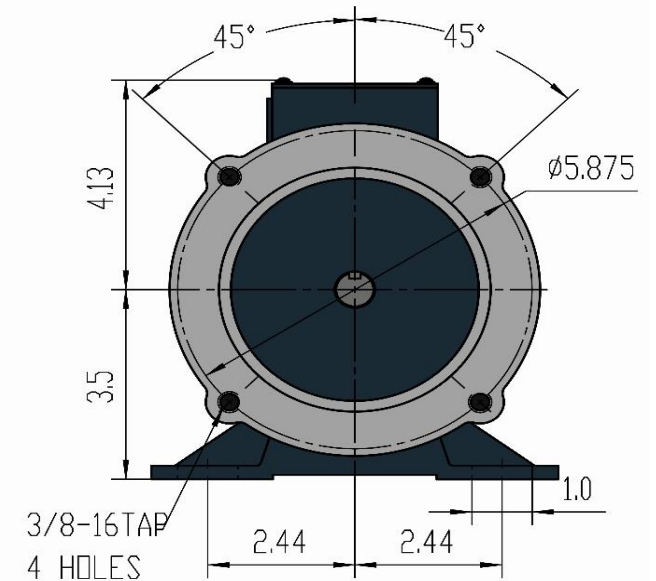
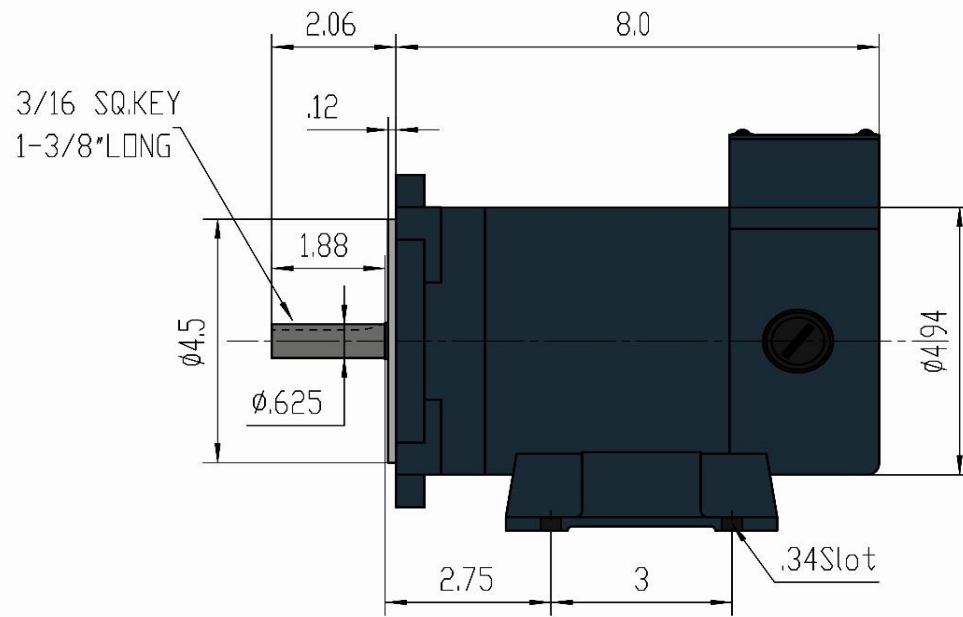


# MaxMotion



Customer is responsible in determining that MaxMotion product will fit/perform suitably in the intended application

Version: 1NIN

Revised: April 2020

HP	RPM	Voltage	Amps	Const.	Frame	Insul.	Torque	P. Code	Wgt lbs	Rated
0,33	1750	180Vdc	2,55	TENV	56C	Class H	11.9 in/lbs	K (SCR)	23	IP45

## MM3318NV